

SR

FIXATOR

FX CABLE SUSPENDED PLATFORM

e-lift 600 | e-lift 800

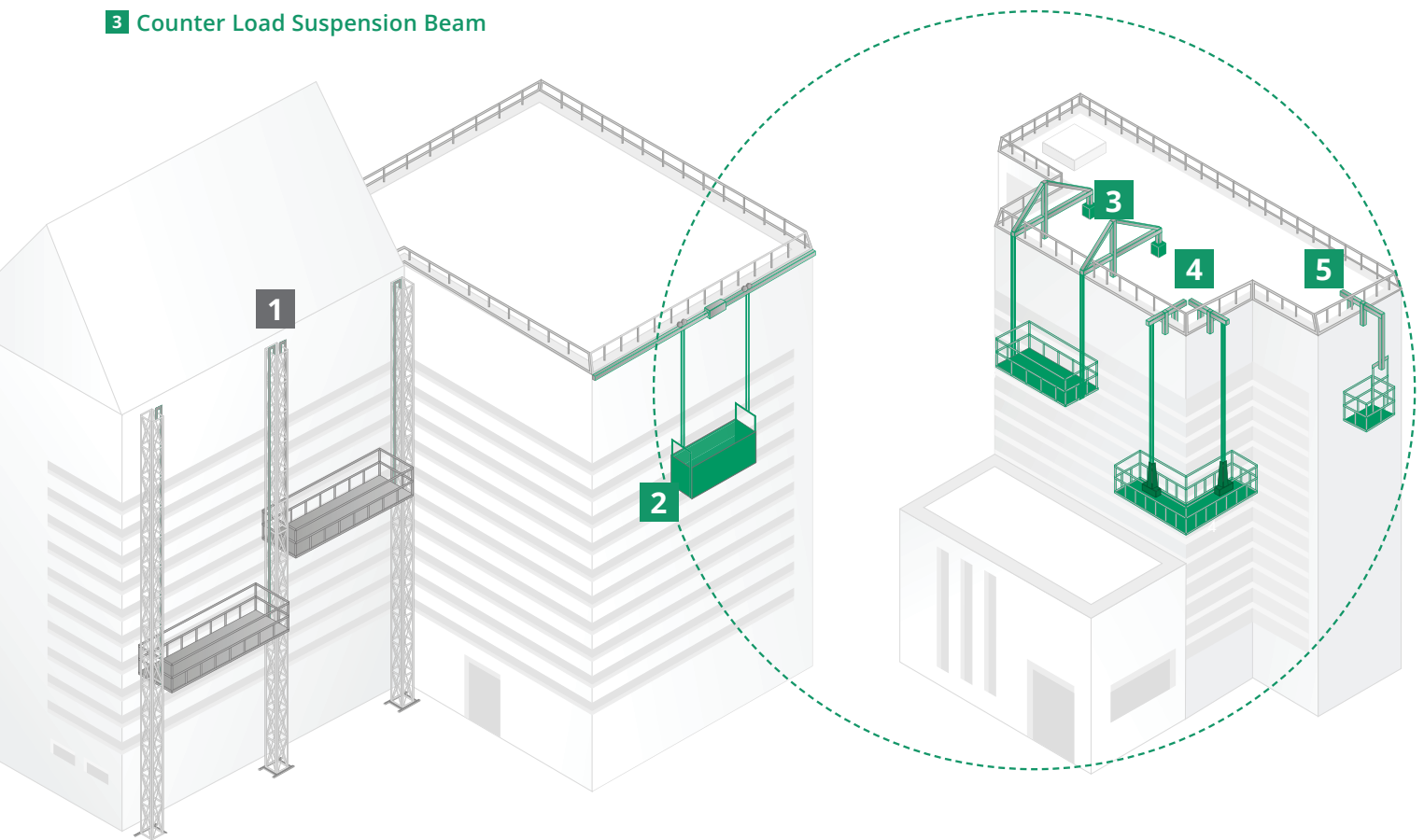


HEIGHT ACCESS SOLUTIONS FOR BUILDINGS

For construction, maintenance and service at all heights on building facades. For the transport of persons and their tools, temporary or permanent suspended platforms provide an ideal working position and maximum ergonomics. Suspended platforms are an economical and safe alternative to tubular scaffolding.

TYPES ATTACHMENTS

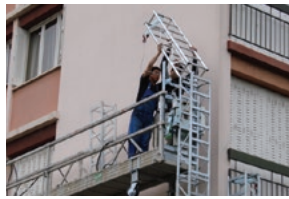
- 1 Fixeo Mast
- 2 Cross Monorail
- 3 Counter Load Suspension Beam
- 4 Suspension Beam with Splitter Plate
- 5 Parapet Console



APPLICATIONS



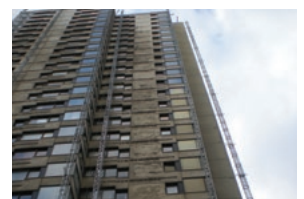
NEW CONSTRUCTION



FACADE RENOVATION



FACADE INSTALLATION



CURTAIN WALL CLEANING

LOAD TABLE

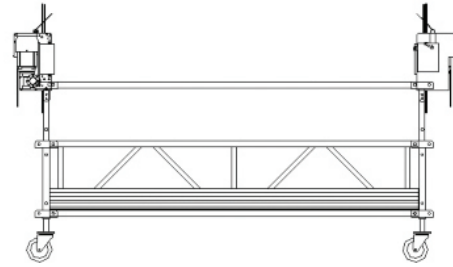
Minimum Floor Strength: 200kg

Uniform Load:

1st Person = 120kg (80kg for person + 40kg for materials)

2nd Person = 120kg (80kg for person + 40kg for materials)

Thereafter = 80kg (per additional person)



Cable Suspended Platform - Load Chart (With END Stirrups)

Length	Platforms Configuration	600 - Hoist		800 - Hoist	
		SWL (Kg)	Maximum Number of Persons	SWL (Kg)	Maximum Number of Persons
2m		360	2	360	2
3m		540	3	540	3
4m		720	4	720	4
5m		900	5	900	5
6m		900	6	900	6
7m		800	7	800	7
8m		800	8	800	8
9m		800	8	800	8
10m		560	6	560	6
11m		480	5	480	5
12m		400	4	400	4

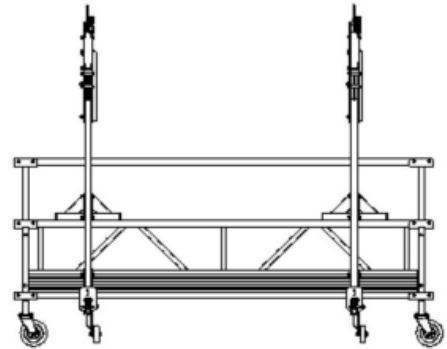
Minimum Floor Strength: 200kg

Uniform Load:

1st Person = 120kg (80kg for person + 40kg for materials)

2nd Person = 120kg (80kg for person + 40kg for materials)

Thereafter = 80kg (per additional person)



Cable Suspended Platform - Load Chart (With END Stirrups)

Length	Distance	Platforms Configuration	600 - Hoist		800 - Hoist	
			SWL (Kg)	Maximum Number of Persons	SWL (Kg)	Maximum Number of Persons
1m	/		120	1	120	1
1,5m	/		240	2	240	2
3m	2m		380	3	540	3
4m	2m		540	4	720	4
5m	3m		720	5	900	5
6m	4m		600	6	900	6
7m	5m		600	6	900	7
8m	6m		600	6	900	8
9m	6m		540	5	900	8
10m	7m		510	5	800	8
11m	8m		490	5	800	7
12m	8m		480	5	800	7
13m	9m		460	4	720	6
14m	10m		450	4	560	6
15m	11m		440	4	480	5
16m	12m		400	3	480	5

ELECTRIC WINCH

- Personnel lifting system with 2 wire-ropes (safety and working)
- Available in three phases and single phase
- Winch adaptable to all platform types
- Automatic travel of the working wire-rope
- Unrestricted working height
- Winch speed: 9m/min (18m/min optional)
- Winch to be combined with a fall-prevention system
- Great sturdiness
- Easy to transport with the help of 2 handles
- Adjustable on several carrier stirrups
- Lifting capacity: 500kg - 1000kg

600 WINCH

Voltage (V)
Frequency (Hz)
Motor (Kw)
Circuit Breaker (A)
Starting Current (A)
Running Current (A)
Winch Weight (kg)
Load Capacity (SWL)
Lifting Speed (m/min)
Emergency Decent
Wire Rope Specifications
Wire Rope Diameter (mm)
Ultimate Load (kg)
Safety Factor
Load Limiter

e.lift 600 M

240V
50Hz
1.25Kw
16A
21A
8A
42kg
600kg
9m/min
4.5m/min
Mixed Steel + synthetic core
8.3mm
4800kg
8
Yes

e.lift 600 T

380-415V
50Hz
1.25Kw
16A
21A
3.5A
42kg
600kg
9m/min
4.5m/min
Mixed Steel + synthetic core
8.3mm
4800kg
8
Yes

800 WINCH

Voltage (V)
Frequency (Hz)
Motor (Kw)
Circuit Breaker (A)
Starting Current (A)
Running Current (A)
Winch Weight (kg)
Load Capacity (SWL)
Lifting Speed (m/min)
Emergency Decent
Wire Rope Specifications
Wire Rope Diameter (mm)
Ultimate Load (kg)
Safety Factor
Load Limiter

e.lift 800 M

240V
50Hz
1.5Kw
20A
34A
9.5A
63kg
800kg
9m/min
4.5m/min
Mixed Steel + synthetic core
9.5mm
6400kg
8
Yes

e.lift 800 T

380-415V
50Hz
1.5Kw
20A
20A
5.6A
63kg
800kg
9m/min
4.5m/min
Mixed Steel + synthetic core
9.5mm
6400kg
8
Yes

FEATURES

OPERATING COMFORT

- Simultaneous and independent use of several platforms
- Platform length from 2m to 12m
- Working height up to 50m
- Load capacity up to 900kg
- Anchor point adjustable according to the configuration of the building

INCREASED STABILITY AND SAFETY

- Attached to the ground by adjustable jack bases
- Anchoring to the facade every 6m
- Built in fall-prevention system
- Anti-sway system and safety lug
- Overload detector
- Top end of stroke detector

EASE OF LOGISTICS AND HANDLING

- Reduced number of components for a maximum working area
- Easy and quick to install thanks to reduced handling: 2 persons are sufficient for the installation

ALUMINIUM PLATFORM

- Top-range version
- Modular suspended platform with bolt pin or pin assembly
- Easy to assemble: reduced number of components and could be assembled by one person
- Aluminium structure, galvanized steel stirrups
- 1m, 1.5m, 2m and 3m platform elements Modulation from 2 to 16m



FIXATOR®, manufacturer of hoists and suspended cradles in France since 90 years, designs temporary suspended scaffolds, individual cradles and attachment systems for façade work on buildings of large height. FIXATOR® also manufactures a wide range of electric hoists, manual hoists and pneumatic hoists intended for industrial use, for personnel lifting or equipment lifting applications.

FIXATOR has focused on customer needs and designs that are reliable, easy to use and safe. All technological innovations developed are designed to reduce the difficulty encountered by working men and women and to increase the profitability of projects.

21-29 West Circuit,
Sunshine West,
3020 VIC, AUSTRALIA

P. +61 3 9312 6497
E. sales@scanrent.com.au
www.scanrent.com.au

