

SR

SCANCLIMBER®

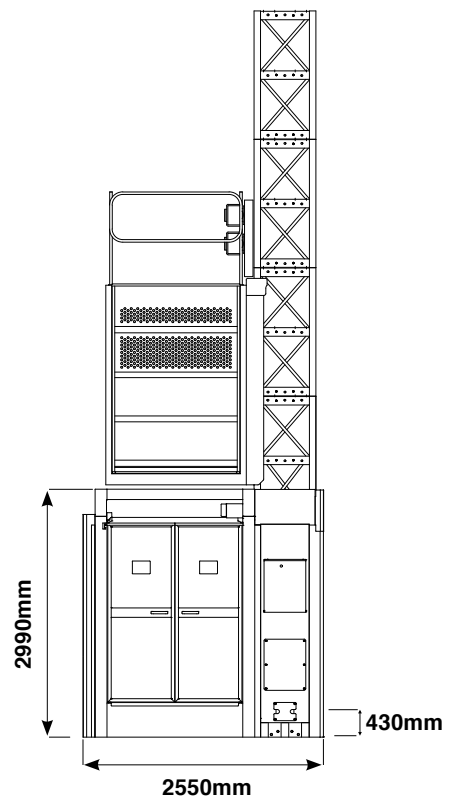
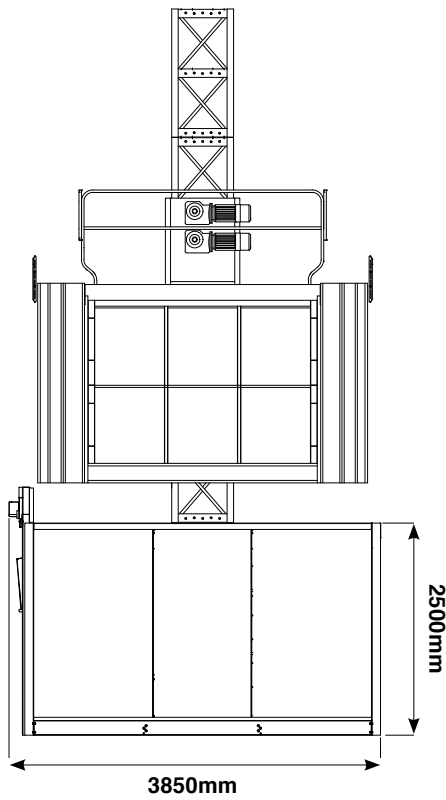
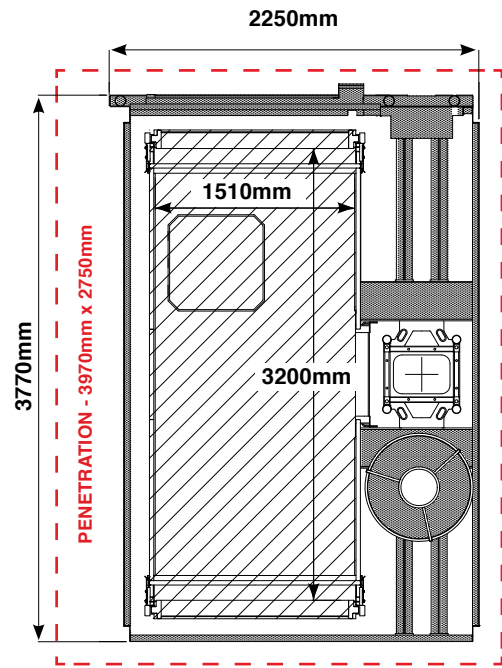
SC1432F

0-36m/min



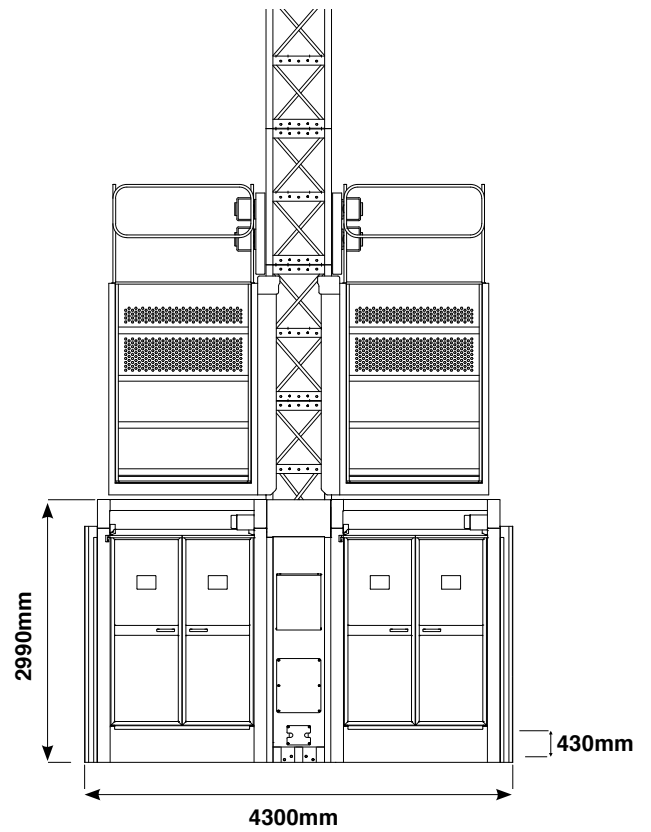
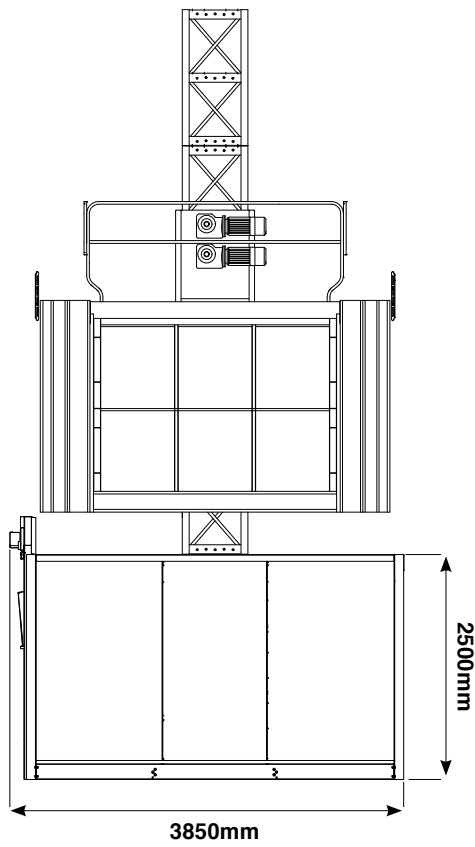
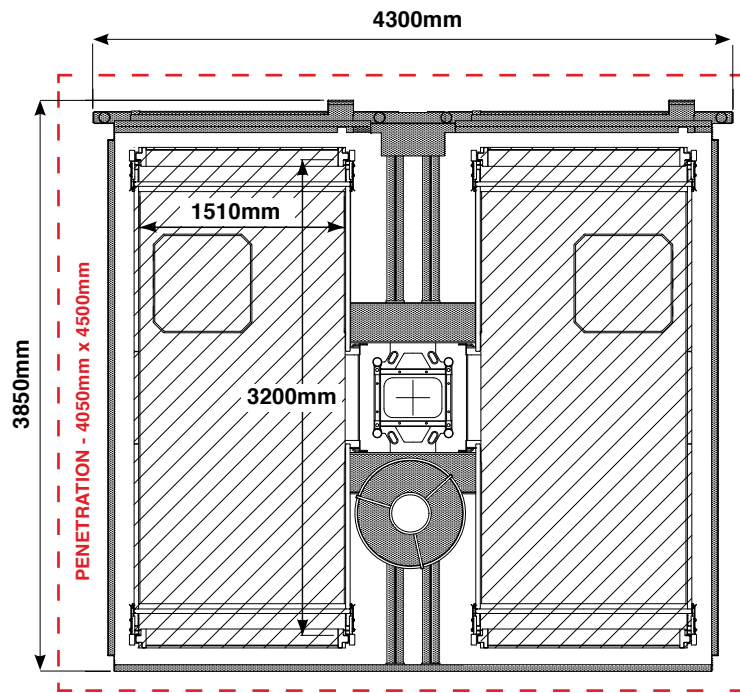
SC1432F

Passenger & Material Hoist (Single Configuration)



SC1432F

Passenger & Material Hoist (Twin Configuration)



Technical Data - SC1432F

CAPACITY

Payload	1400kg
Lifting Speed	0 - 36 m/min
Counter Weight	No
Maximum Lifting Height	200m

ELECTRICAL DATA

Motor	2 x 9.2kw
Power Supply	400V - 50hz, 3p
110 V / 240 V power on platform	Standard, included
Overload device	Standard, included
Automatic lubrication	N/A

DIMENSIONS & WEIGHT

Hoist Car internal dimensions (L x W x H)	3.20 x 1.39 x 2.05m
Length Mast section	1.5m
Weight mast section - Single	80kg
Weight mast section -Double	91kg

HOIST CONTROLS

Controls	Frequency Control
User Interface	Touch Panel / Joy Stick
Bluetooth communication	N/A
Manual controls / erection controls	Standard, included
Drop test controls	Standard, included
Programmable landings	Optional
Hoist calling system	Optional
SR Control, internet management control	N/A

GENERAL

Finishing Cabin / Ground Enclosure	Galvanised / Powder Coated
Company Logo & Colour	Optional
Ground Enclosure	Standard, included
C-Door	Optional
Cable Trolley System	Optional
Erection Jib	Optional
Norms & Regulations	Machine Directive (EN121159+A1) / A10.4:2007 (USA) / CSA Z18

*Data based on a standard configuration

Scanclimber is the world's technology leader in mast climbing equipment for both temporary and permanent installations. The company has its corporate head office in Pirkkala, Finland and manufacturing in Gniezno, Poland. The company employs more than 200 staff in Europe and Asia. Scanclimber creates value for its customers with high quality, reliable and flexible vertical access solutions.

21-29 West Circuit,
Sunshine West,
3020 VIC, AUSTRALIA

P. +61 3 9312 6497
E. sales@scanrent.com.au
www.scanrent.com.au

